



**DSV™**  
**VENTURI ORIFICE STEAM TRAP**

**Description**

The Delta 25DSV Venturi Orifice Steam Trap is designed for multipurpose applications from line drainage and trace heating, through to medium to large process applications. The 25DSV has an integrated strainer and an in-line removable orifice insert. The body of the 25DSV does not have to be removed from the line for maintenance purposes. Access to the insert orifice and strainer is through the top and bottom caps.

**Standards**

This product falls within Paragraph 3 of Article 3 of Directive 97/23/EC (European Pressure Equipment Directive) and therefore may not bear the CE marking. It also complies with SANS 347:2012 Category SEP.

**Certification**

Manufacturer's pressure test report and material certification is available with this product. Any additional certification requirements to be stated at time of order.

**Sizes and Connections**

DN25 (1")  
Threaded BSP or NPT / Socket Weld

**Pressure / Temperature limits**

PMA (Maximum Allowable Pressure)	62 bar g	(900psi g)
TMA (Maximum Allowable Temperature)	450°C	(845°F)
PMO (Maximum Operating Pressure)	62 bar g	(900 psig)
TMO (Maximum Operating Temperature)	450°C	(845°F)

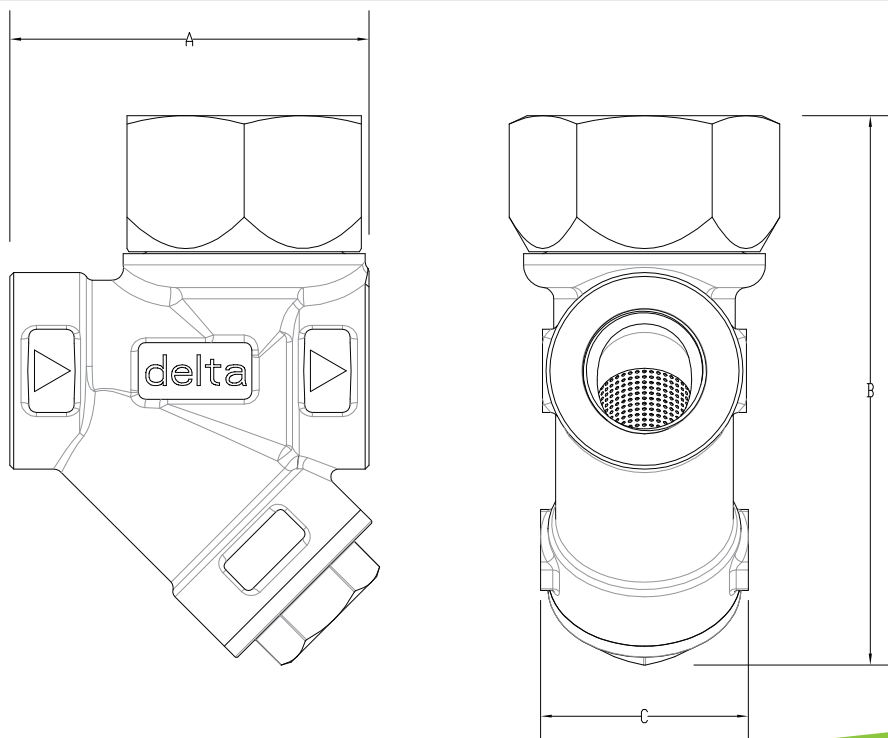
Cold hydraulic test pressure 150 bar g (2175 psi g)

**Guarantee**

10 year product guarantee as per standard terms and conditions

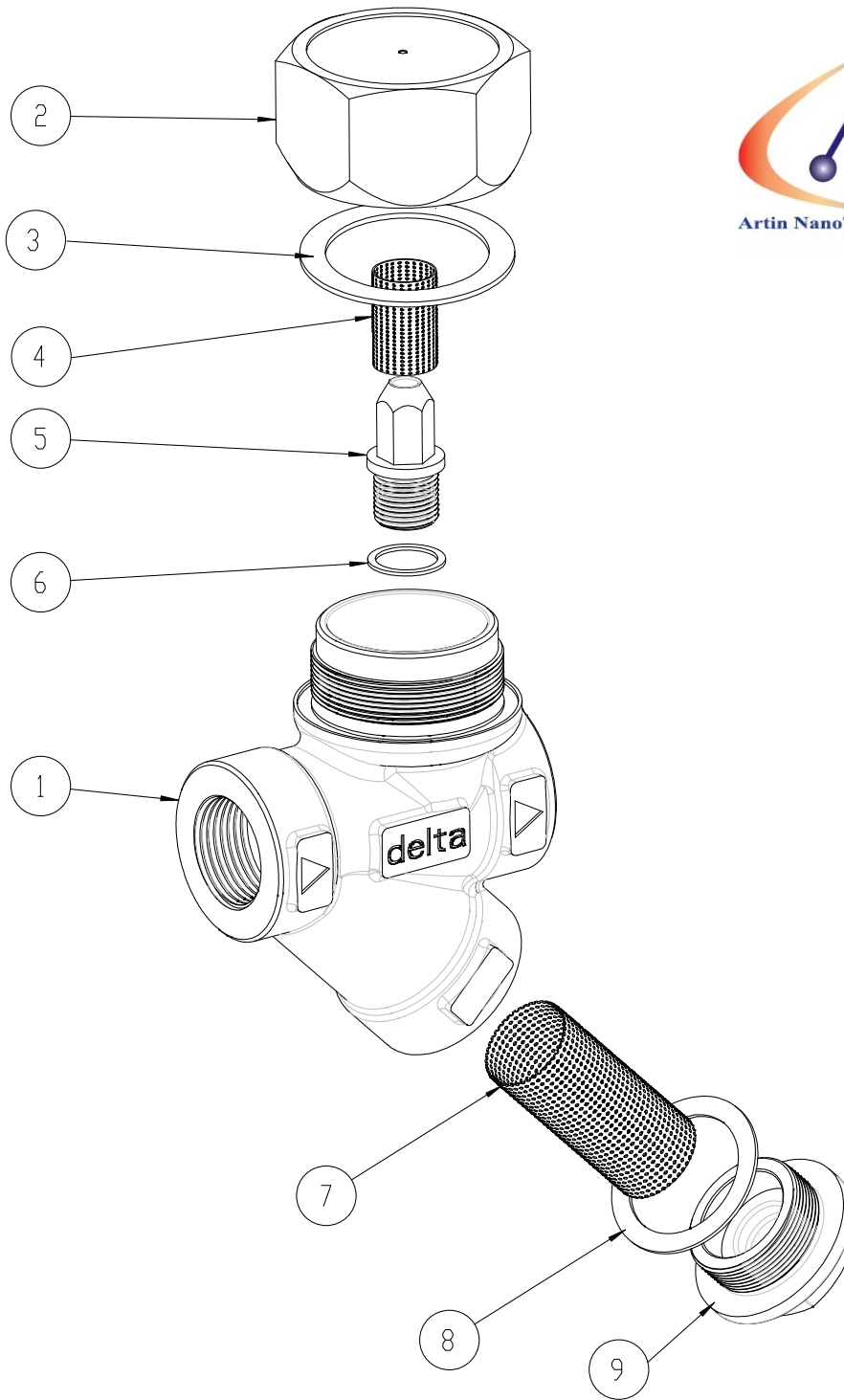
**Dimensions and weights**

Size	Connection	A	B	C	Weight
DN25 (1")	DN25 Screwed BSP/NPT/Socket Weld	95 mm	143mm	54 mm	2,3 kg



T: +27 21 948 9677  
E: info@deltasteamsystems.com  
W: www.deltasteamsystems.com

**Assembly**



No.	Part	Material	No.	Part	Torque Settings
1	Body	ASTM A351 – CF3M	2	Top Cap	100 Nm
2	Top Cap	ASTM A351 – CF3M	5	Removable Orifice Insert	10 Nm
3	Top Gasket	Graphite	9	Bottom Cap	100 Nm
4	Secondary Strainer	316 Stainless Steel			
5	Removable Orifice Insert	304 Stainless Steel			
6	Orifice Gasket	Chempflon			
7	Primary Strainer	316 Stainless Steel			
8	Bottom Gasket	Graphite			
9	Bottom Cap	ASTM A351 – CF3M			